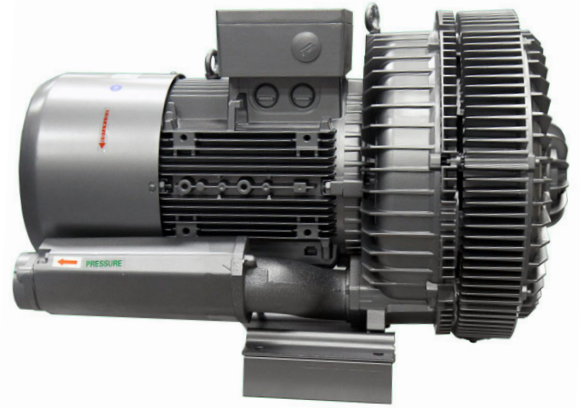
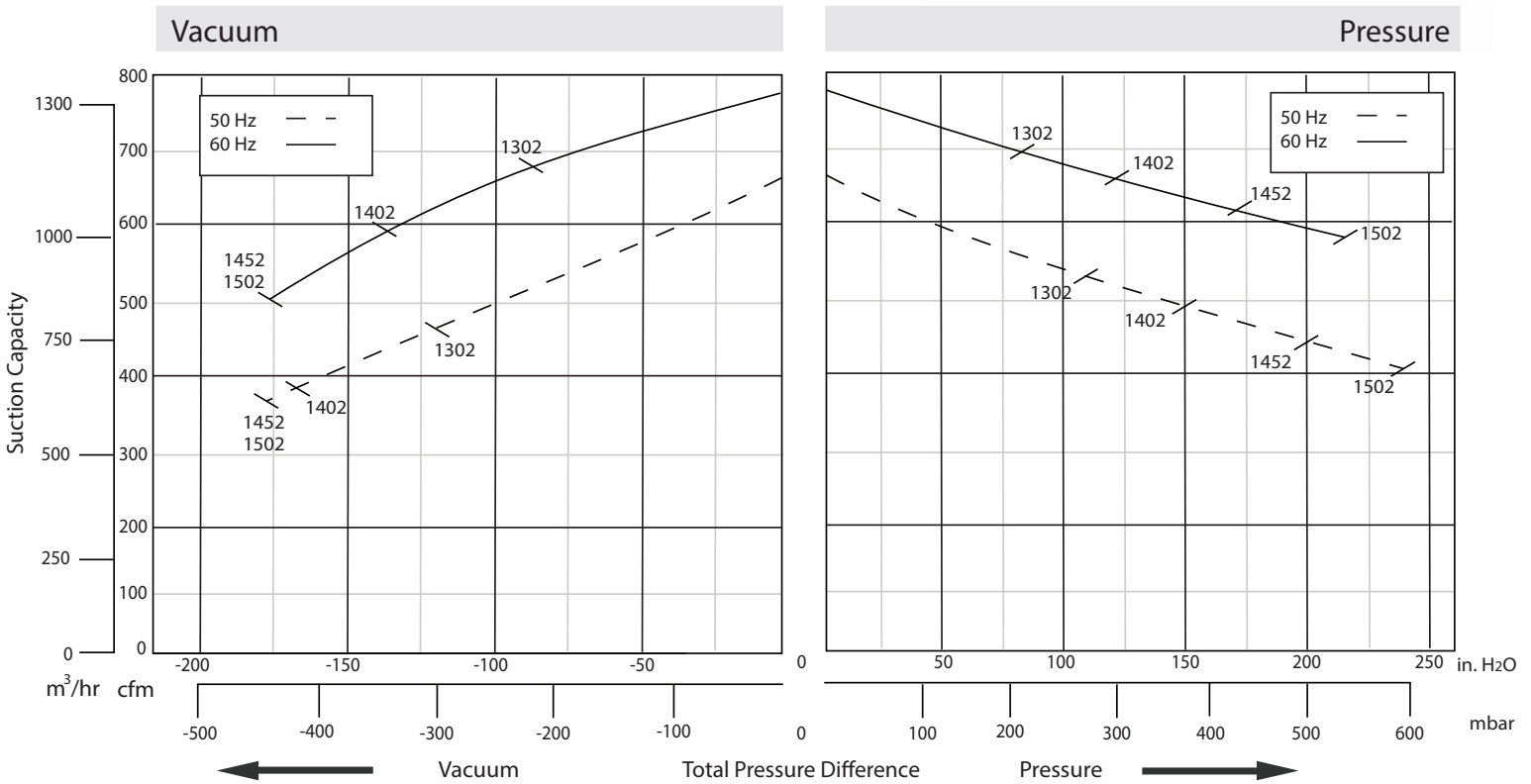


Republic offers a complete line of regenerative blowers for high vacuum or compressed air applications in both horizontal and vertical mounted positions. TEFC motors are rated for 50/60 Hz operation and are IE3, cUL, UL, and CE certified. The impeller is directly connected to the motor shaft, providing powerful air force without undue friction. The bearings are outside the compression chamber, ensuring maximum operational reliability under high differential pressure. Constructed in robust die-cast aluminum, this low-maintenance, oil-free design provides continuous, dependable service to our customers.

IE3
CC339B
CE
CUL US
E493872



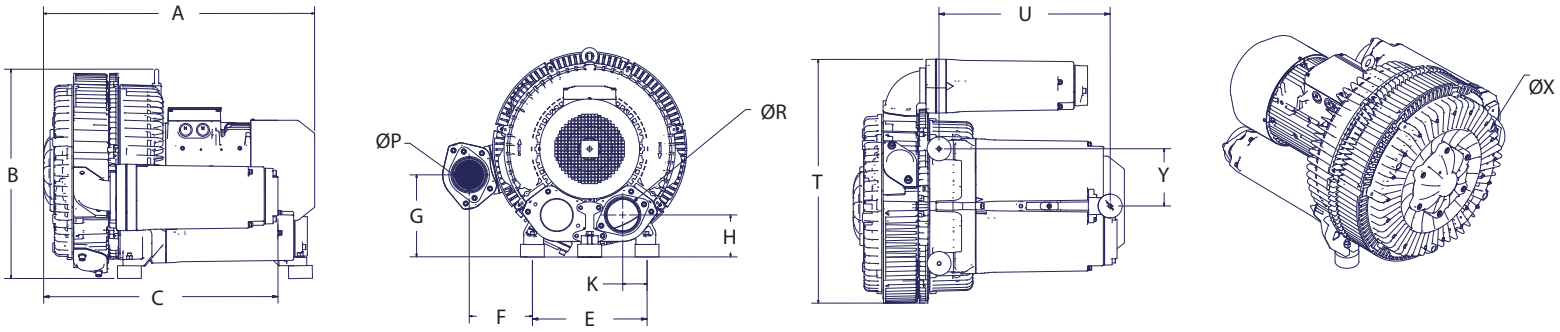
PERFORMANCE



Model	Phase	Frequency (Hz)	Air flow (CFM/m ³ /hr)	Rated Vacuum (in. H ₂ O/mbar)	Rated Pressure (in. H ₂ O/mbar)	Motor (HP/kW)	Voltage (V)	Current (A)	Sound Level (dB)	Weight (lb/kg)
HRC 1302	3	50	653/1110	120/300	108/270	16.8/12.5	190 ΔΔ/380 Δ	48.5 ΔΔ/28.0 Δ	74	412/187
		60	771/1310	88/220	80/200	19.4/14.5	230 ΔΔ/460 Δ	50.1 ΔΔ/29.0 Δ	78	
HRC 1402	3	50	653/1110	165/410	149/370	22.1/16.5	190 ΔΔ/380 Δ	70.0 ΔΔ/35.0 Δ	74	434/197
		60	771/1310	137/340	120/300	25.5/19.0	230 ΔΔ/460 Δ	62.5 ΔΔ/36.0 Δ	78	
HRC 1452	3	50	653/1110	177/440	201/500	26.8/20.0	190 ΔΔ/380 Δ	80.0 ΔΔ/40.0 Δ	74	450/204
		60	771/1310	177/440	173/430	30.8/23.0	230 ΔΔ/460 Δ	84.0 ΔΔ/42.0 Δ	78	
HRC 1502	3	50	653/1110	177/440	237/590	33.5/25.0	190 ΔΔ/380 Δ	104.0 ΔΔ/52.0 Δ	74	465/211
		60	771/1310	177/440	217/540	38.9/29.0	230 ΔΔ/460 Δ	90.2 ΔΔ/52.0 Δ	78	

The performance curves are based on air at a temperature of 59 °F and an atmospheric pressure of 29.91 inch Hg with a tolerance of +/-10%. The total pressure differences are valid for inlet and ambient temperatures up to 77 °F. Suction capacity relates to inlet conditions. Pressure capacity relates to atmospheric conditions. For other conditions please contact Republic. Three phase motor tolerances are +/-10% for fixed voltage motors and +/-5% for voltage range motors. Single phase machines are designed with a +/-5% tolerance. The frequency tolerance is +/-2% maximum.

APPROXIMATE DIMENSIONS

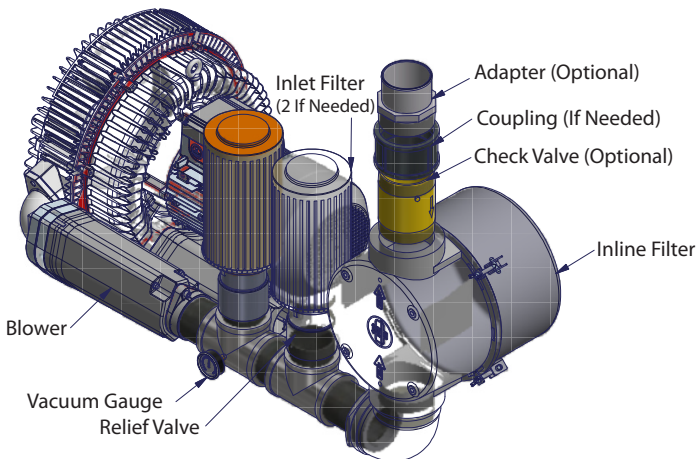


Model	Unit	A	B	C	E	F	G	H	K	ØP	ØR	T	U	ØX	Y
HRC 1302	in	33.50	25.88	32.63	14.19	7.81	10.13	5.19	3.00	4.00	4.00	30.13	21.19	M12	7.06
	mm	851	657	828	360	198	257	132	76	NPT	NPT	765	537		180
HRC 1402	in	33.50	25.88	29.00	14.19	7.81	10.13	5.19	3.00	4.00	4.00	30.13	21.19	M12	7.06
	mm	851	657	736	360	198	257	132	76	NPT	NPT	765	537		180
HRC 1452	in	33.50	25.88	29.00	14.19	7.81	10.13	5.19	3.00	4.00	4.00	30.13	21.19	M12	7.06
	mm	851	657	736	360	198	257	132	76	NPT	NPT	765	537		180
HRC 1502	in	32.56	25.94	28.75	14.19	7.81	10.19	5.13	3.13	4.00	4.00	30.13	21.06	M12	7.06
	mm	826	658	731	360	198	259	131	79	NPT	NPT	765	535		180

Available Options

All Republic Regenerative Blowers are available in pre-assembled kits for either pressure or vacuum applications. These kits include an inlet filter, gauge and relief valve, and are factory tested prior to shipment. Optional items for these kits include check valve, and tube adaptor; washdown motors, explosion proof motors, or other specialty motors; noise enclosures; and control panels such as VFD's, PLC's, or starter panels.

VACUUM KIT



PRESSURE KIT

