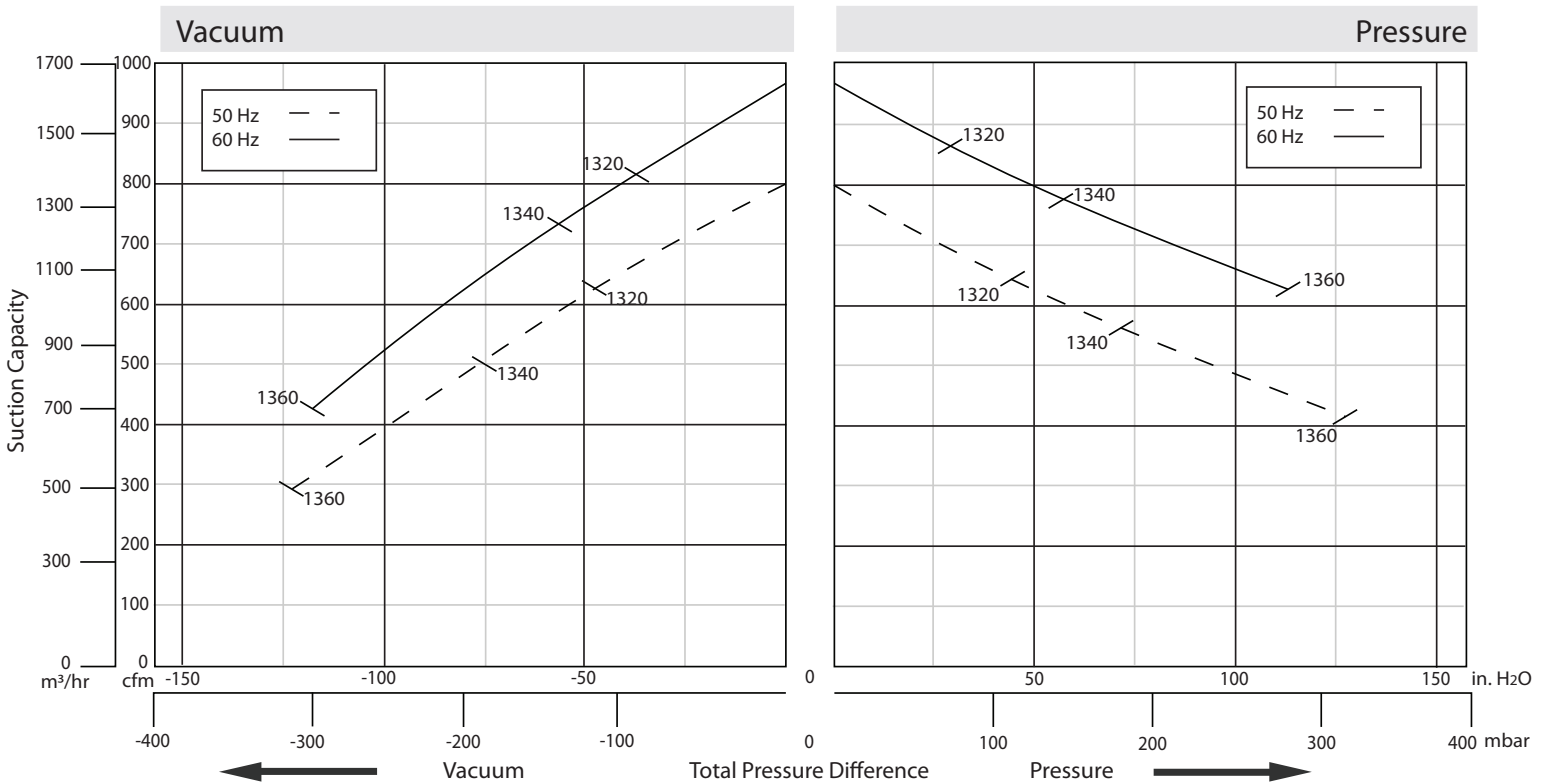


Republic offers a complete line of regenerative blowers for high vacuum or compressed air applications in both horizontal and vertical mounted positions. TEFC motors are rated for 50/60 Hz operation and are IE3, cUL, UL, and CE certified. The impeller is directly connected to the motor shaft, providing powerful air force without undue friction. The bearings are outside the compression chamber, ensuring maximum operational reliability under high differential pressure. Constructed in robust die-cast aluminum, this low-maintenance, oil-free design provides continuous, dependable service to our customers.



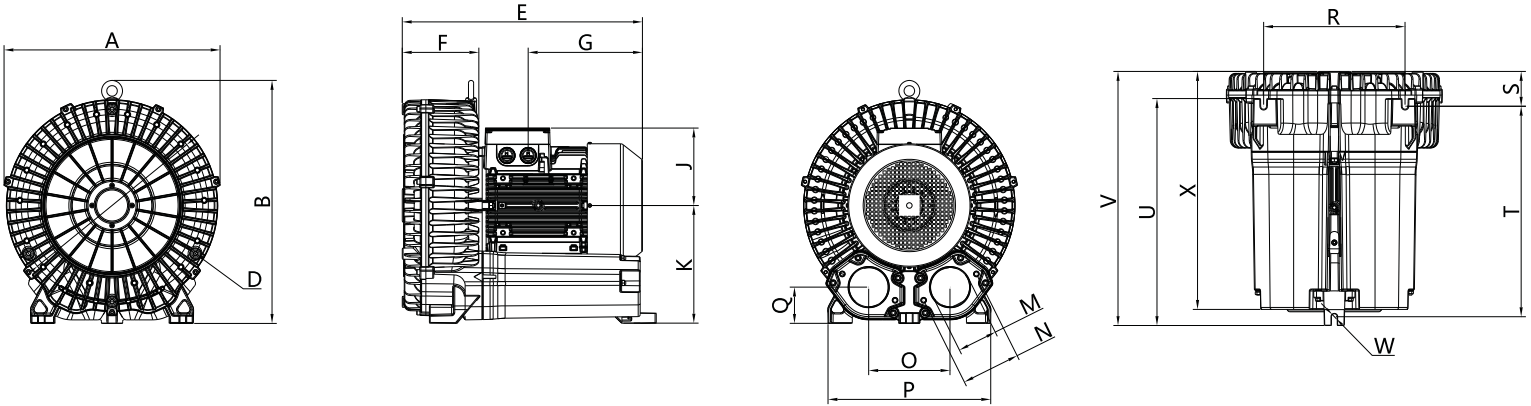
PERFORMANCE



Model	Phase	Frequency (Hz)	Air flow (CFM/m ³ /hr)	Rated Vacuum (in. H ₂ O/mbar)	Rated Pressure (in. H ₂ O/mbar)	Motor (HP/kW)	Voltage (V)	Current (A)	Sound Level (dB)	Weight (lb/kg)
HRC 1320	3	50	806/1370	48/120	44/110	11.4/8.5	190 △△/380 △	31.5 △△/18.2 △	75	216/98
		60	971/1650	32/80	28/70	13.1/9.8	230 △△/460 △	31.5 △△/18.2 △	80	
HRC 1340	3	50	806/1370	76/190	72/180	16.8/12.5	190 △△/380 △	48.5 △△/28.0 △	75	267/121
		60	971/1650	60/150	60/150	19.4/14.5	230 △△/460 △	50.1 △△/29.0 △	80	
HRC 1360	3	50	806/1370	124/310	128/320	24.8/18.5	190 △△/380 △	64.1 △△/37.0 △	75	289/131
		60	971/1650	120/300	112/280	28.6/21.3	230 △△/460 △	67.6 △△/39.0 △	80	

The performance curves are based on air at a temperature of 59 °F and an atmospheric pressure of 29.91 inch Hg with a tolerance of +/-10%. The total pressure differences are valid for inlet and ambient temperatures up to 77 °F. Suction capacity relates to inlet conditions. Pressure capacity relates to atmospheric conditions. For other conditions please contact Republic. Three phase motor tolerances are +/-10% for fixed voltage motors and +/-5% for voltage range motors. Single phase machines are designed with a +/-5% tolerance. The frequency tolerance is +/-2% maximum.

APPROXIMATE DIMENSIONS

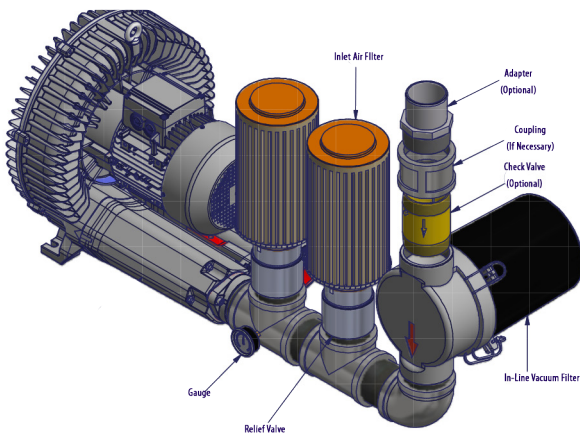


Model	Unit	A	B	D	E	F	G	J	K	M	N	O	P	Q	R	S	T	U	V	W
HRC 1320	in	21.65	24.33	M12	22.17	9.17	8.90	6.57	11.77	4.00	5.91	8.15	16.30	3.62	14.17	4.96	21.06	22.72	26.93	0.59
	mm	550	618		563	233	226	167	299		150	207	414	92	360	126	535	577	684	15
HRC 1340	in	21.65	24.33	M12	25.55	9.17	11.46	7.76	11.77	4.00	5.91	8.15	16.30	3.62	14.17	4.96	21.06	22.72	26.93	0.59
	mm	550	618		649	233	291	197	299		150	207	414	92	360	126	535	577	684	15
HRC 1360	in	21.65	24.33	M12	25.55	9.17	11.46	7.76	11.77	4.00	5.91	8.15	16.30	3.62	14.17	4.96	21.06	22.72	26.93	0.59
	mm	550	618		649	233	291	197	299		150	207	414	92	360	126	535	577	684	15

Available Options

All Republic Regenerative Blowers are available in pre-assembled kits for either pressure or vacuum applications. These kits include an inlet filter, gauge and relief valve, and are factory tested prior to shipment. Optional items for these kits include check valve, and tube adaptor; washdown motors, explosion proof motors, or other specialty motors; noise enclosures; and control panels such as VFD's, PLC's, or starter panels.

VACUUM KIT



PRESSURE KIT

