



## FEATURES

- Single stage, direct-driven
- Continuous, contactless, oil-free operation
- Energy efficient for substantial savings
- Minimal downtime
- Air-cooled, no water required
- Simple installation
- Virtually maintenance-free
- Low noise levels
- Integrated relief valve
- Includes inlet filter with inlet silencer

## APPLICATIONS

Any oil-free application including:

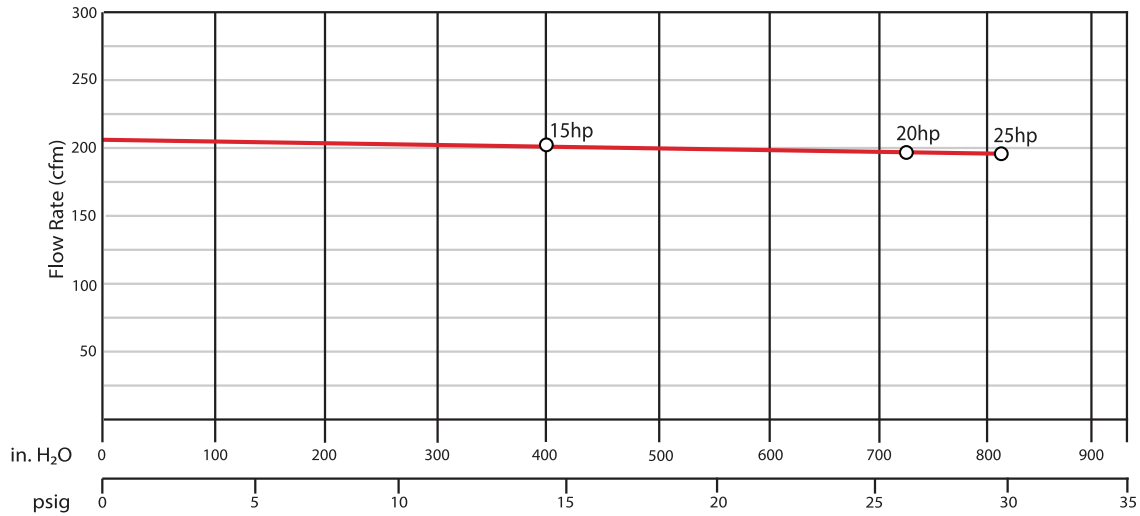
- Transport
- Conveying
- Environmental
- Air sparging
- Fish farms
- Aeration

## OPTIONAL ACCESSORIES

- Pre-Assembled Pressure Kit Available (KPRCP-302): All plumbing, filtration, and gauges required for quick installation and easy maintenance.

# RCP-302

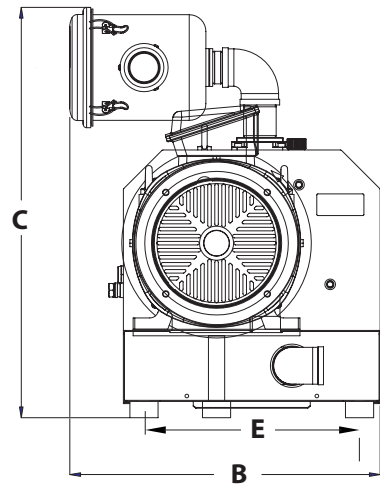
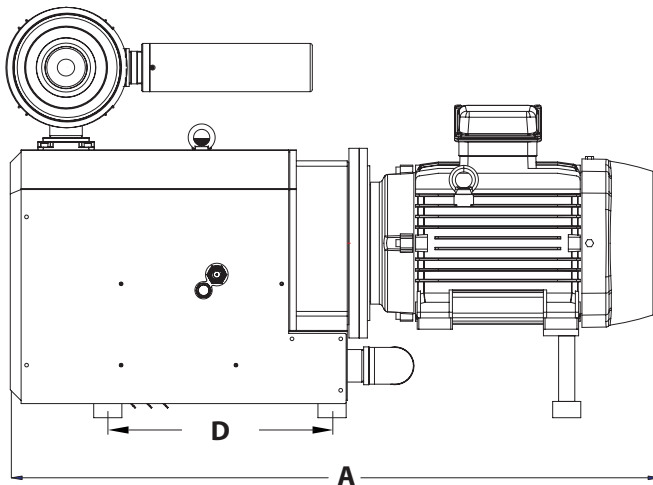
## PERFORMANCE (60HZ)



Model	Phase	Displacement (cfm)	Pressure (psig)	hp	Motor Speed (RPM)	Voltage (V)	FLA	Noise Level (dBA)	Approx. Weight (lb)	Gear Oil Amt. (L)
RCP-302-15	3	212	14.5	15.0	3450	230/460	34.8/17.4	82	487	0.9
RCP-302-20	3	212	26.1	20.0	3450	230/460	46.4/23.2	82	487	0.9
RCP-302-25	3	212	31.9	25.0	3450	230/460	57.8/28.9	82	487	0.9

All measurements are ±10%. Standard motor is Class 1 Div 2.

## APPROXIMATE DIMENSIONS



Model	A	B	C	D	E	Inlet	Discharge
RCP-302-15	46.6"	22.6"	29.8"	19.3"	15.7"	2.0" NPT	2.0" NPT
RCP-302-20	46.6"	22.6"	29.8"	19.3"	15.7"	2.0" NPT	2.0" NPT
RCP-302-25	46.6"	22.6"	29.8"	19.3"	15.7"	2.0" NPT	2.0" NPT

Please contact the factory for precise dimensions.

