



FEATURES

- Single stage, direct-driven
- Continuous, contactless, oil-free operation
- Energy efficient for substantial savings
- Minimal downtime
- Air-cooled, no water required
- Simple installation
- Virtually maintenance-free
- Low noise levels
- Integrated relief valve
- Includes inlet filter with inlet silencer

APPLICATIONS

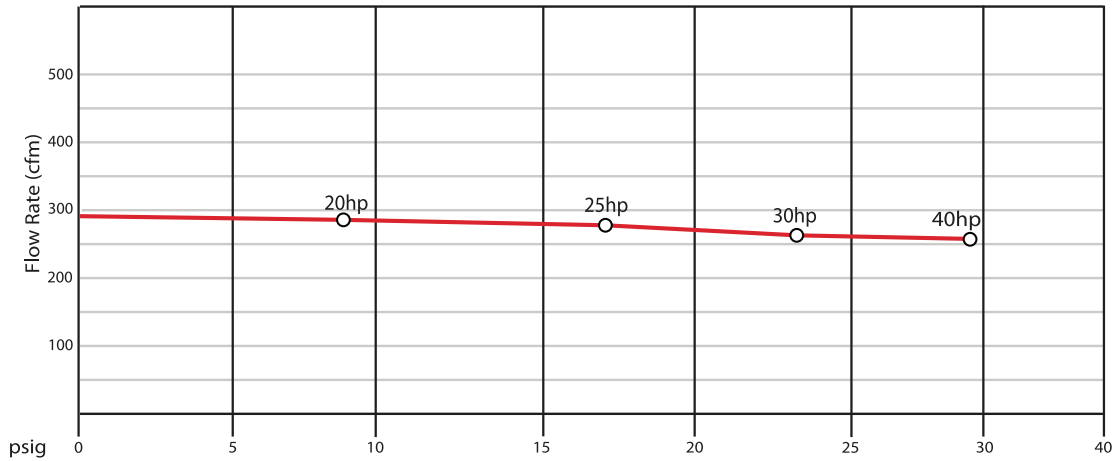
Any oil-free application including:

- Transport
- Conveying
- Environmental
- Air sparging
- Fish farms
- Aeration

OPTIONAL ACCESSORIES

- **Pre-Assembled Pressure Kit Available (KPRCP-402):** All plumbing, filtration, and gauges required for quick installation and easy maintenance.

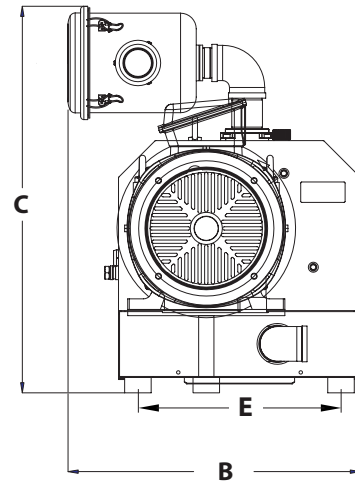
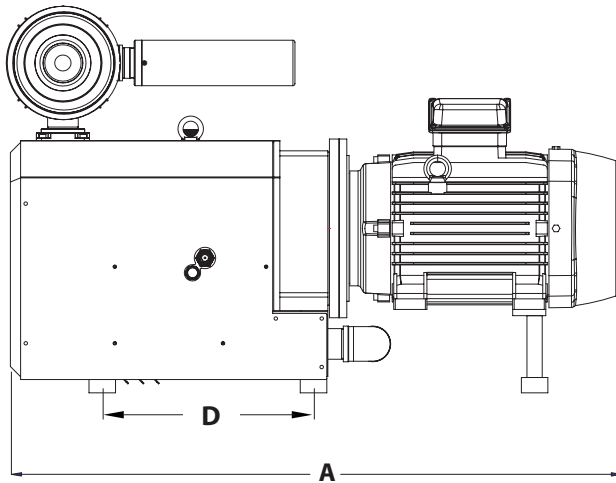
PERFORMANCE (60HZ)



Model	Phase	Displacement (cfm)	Pressure (psig)	hp	Motor Speed (RPM)	Voltage (V)	FLA	Noise Level (dBA)	Approx. Weight (lb)	Gear Oil Amt. (L)
RCP-402-20	3	283	8.7	20.0	3450	230/460	46.4/23.2	82	695	1.8
RCP-402-25	3	283	17.4	25.0	3450	230/460	57.8/28.9	82	695	1.8
RCP-402-30	3	283	23.2	30.0	3450	230/460	69.0/34.5	82	695	1.8
RCP-402-40	3	283	29.0	40.0	3450	230/460	92.2/46.1	82	695	1.8

All measurements are ±10%. Standard motor is Class 1 Div 2.

APPROXIMATE DIMENSIONS



Model	A	B	C	D	E	Inlet	Outlet
RCP-402-20	50.2"	26.5"	39.5"	19.8"	18.1"	3.00" NPT	3.00" NPT
RCP-402-25	50.2"	26.5"	39.5"	19.8"	18.1"	3.00" NPT	3.00" NPT
RCP-402-30	52.8"	26.5"	39.5"	19.8"	18.1"	3.00" NPT	3.00" NPT
RCP-402-40	54.9"	26.5"	39.5"	19.8"	18.1"	3.00" NPT	3.00" NPT

Please contact the factory for precise dimensions.

