

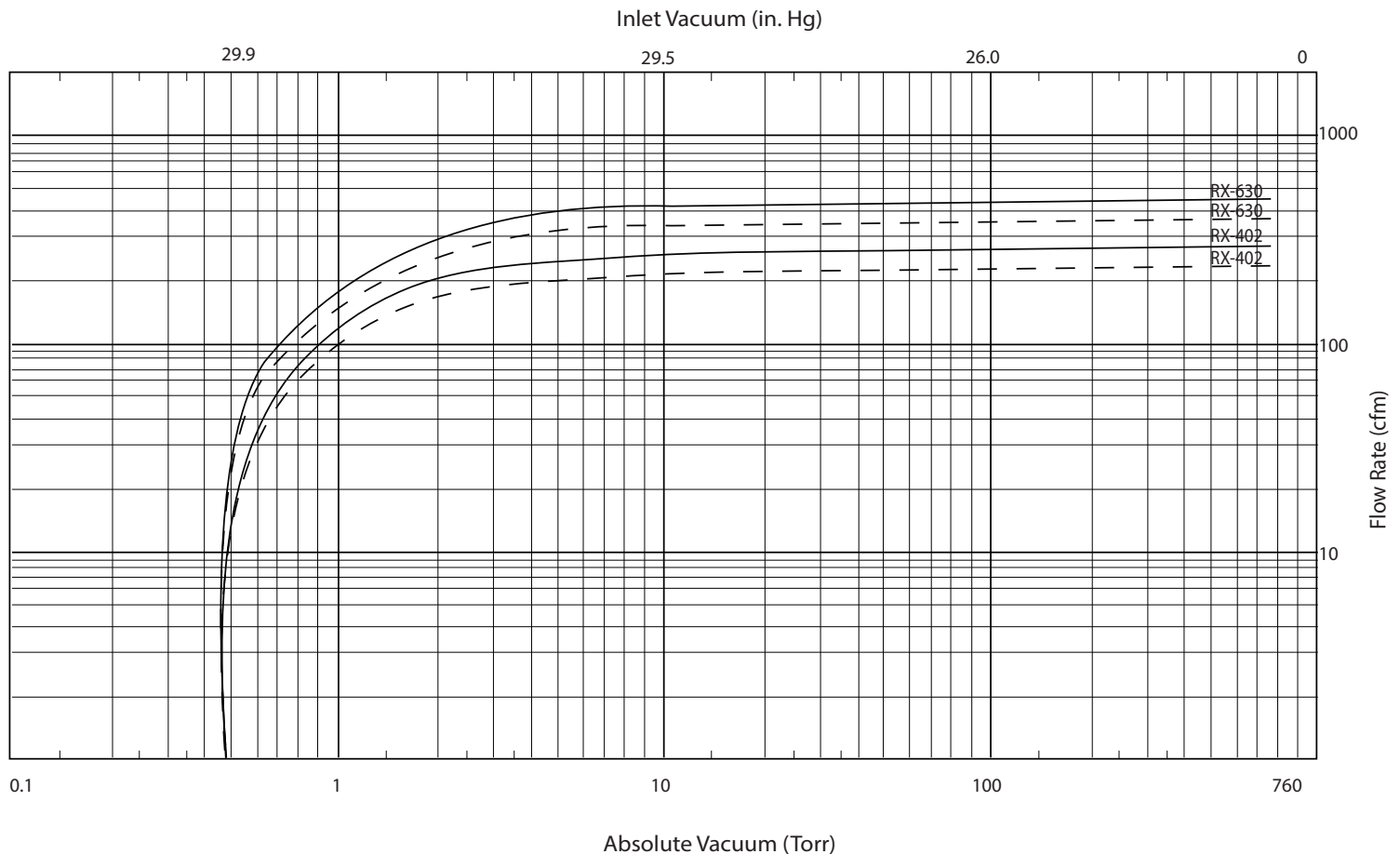
Republic offers the RX series of oil lubricated rotary vane vacuum pumps. They are single stage, air-cooled, and direct driven for continuous operation. The design is one of the most reliable and simplest vacuum pumps available. These rugged pumps are simple to install and easy to service and maintain. They are available with or without motor to meet your application needs. These vacuum pumps have a displacement range from 6 to 490 CFM (10 to 833 m<sup>3</sup>/hr) and maximum vacuum of 0.5 torr.



The RX series is used in a variety of industries such as meat packaging, food processing, thermoforming, composites, medical, laboratory, vacuum cooling, robotics, degassing, and autoclaves.

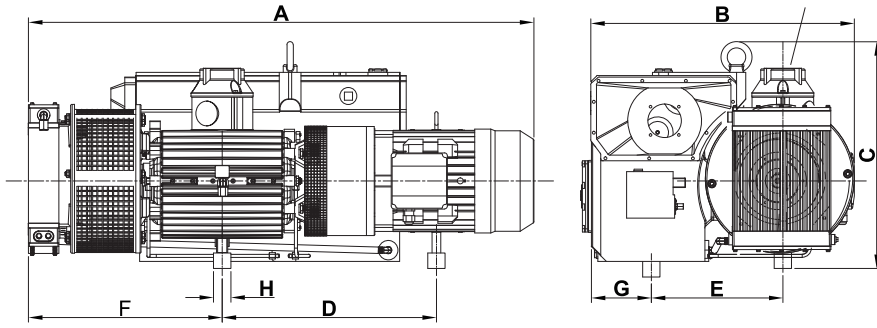
### PERFORMANCE

Model	Displacement (CFM/m <sup>3</sup> /hr)		Ultimate Vacuum Max (In. Hg./Torr/mbar)	Noise Level (dB)		Weight (lb/kg)	Motor Output (HP/kW)		Voltage 3 Phase (V)		Speed (rpm)	
	50 Hz	60 Hz		50 Hz	60 Hz		50 Hz	60 Hz	50 Hz	60 Hz	50 Hz	60 Hz
402	236/400	283/480	29.9/0.5/0.67	80	82	959/435	11.0 kw	20.0 hp	220/380	230/460	1000	1200
630	371/630	445/756	29.9/0.5/0.67	80	82	1213/550	15.0 kw	25.0 hp	220/380	230/460	1000	1200



All measurements are ±10%

## APPROXIMATE DIMENSIONS



Model	Unit	A	B	C	D	E	F	G	H	Fill Oil	Inlet Port
402	in	57.9	35.4	30.4	21.9	18.3	21.9	7.5	3.0	15 QT	3" NPT
	mm	1469	900	772	557	464	557	190	75	14 L	
630	in	69.8	37.3	30.9	29.2	18.1	24.6	10.5	2.2	17 QT	3" NPT
	mm	1774	948	784	741	460	624	266	56	16 L	

### Optional Accessories

- Inlet filter
- Inlet check valve
- Vacuum gauge
- Motor starter
- Control panel
- PLC