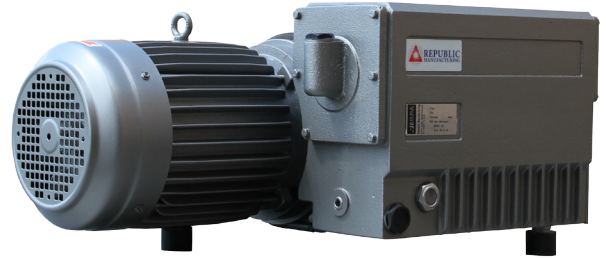


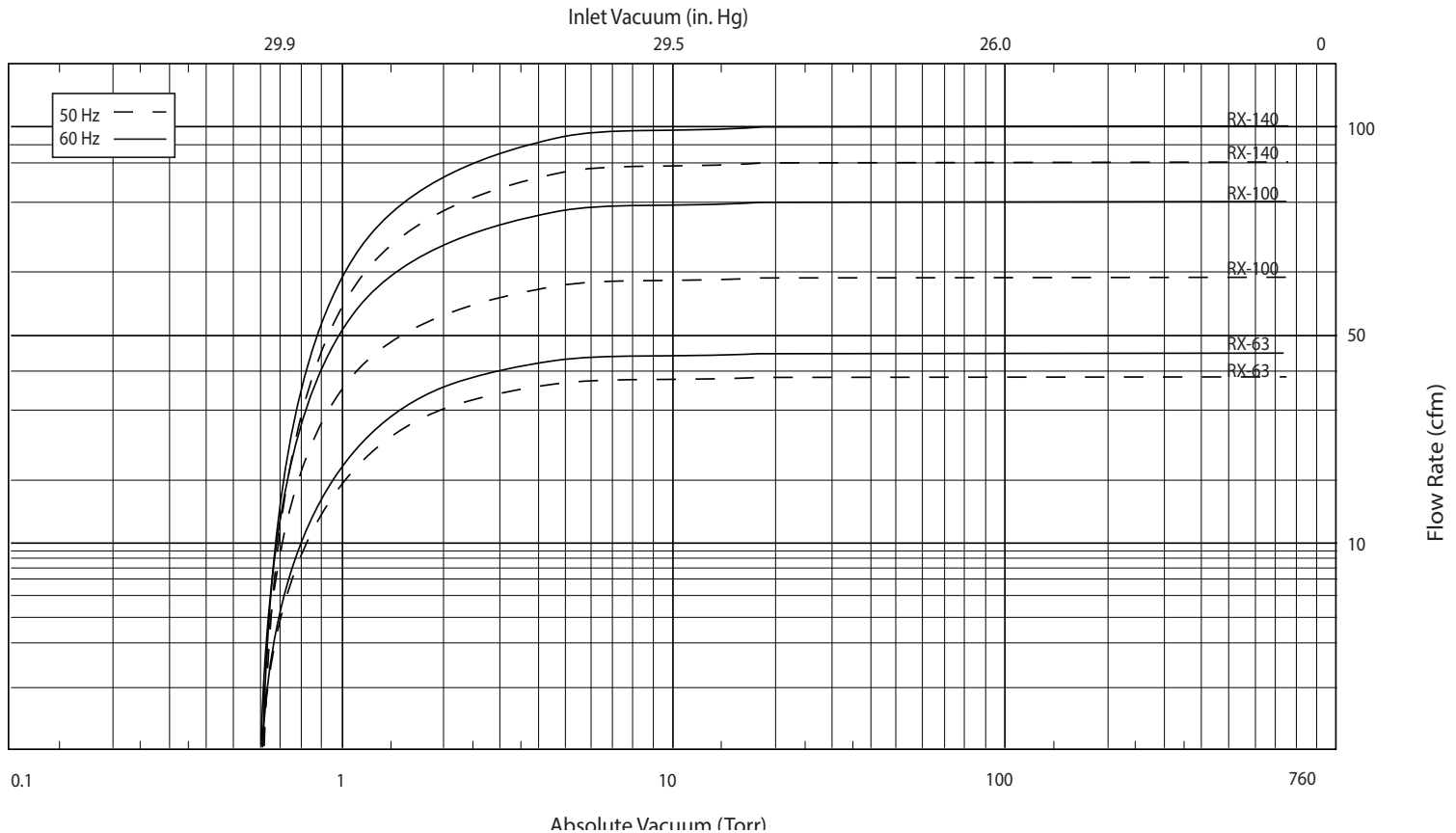
Republic offers the RX series of oil lubricated rotary vane vacuum pumps. They are single stage, air-cooled, and direct driven for continuous operation. The design is one of the most reliable and simplest vacuum pumps available. These rugged pumps are simple to install and easy to service and maintain. They are available with or without motor to meet your application needs. These vacuum pumps have a displacement range from 6 to 490 CFM (10 to 833 m<sup>3</sup>/hr) and maximum vacuum of 0.5 torr.



The RX series is used in a variety of industries such as meat packaging, food processing, thermoforming, composites, medical, laboratory, vacuum cooling, robotics, degassing, and autoclaves.

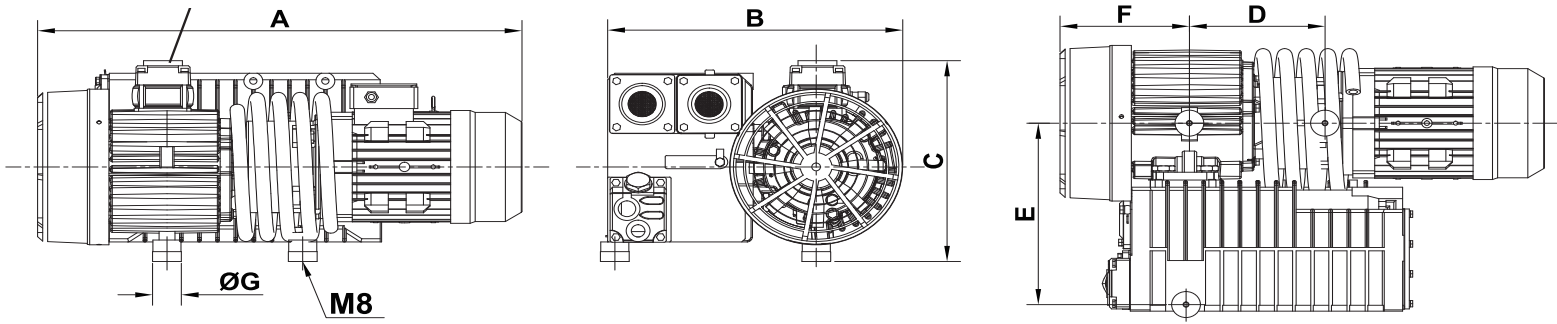
## PERFORMANCE

Model	Displacement (CFM/m <sup>3</sup> /hr)		Ultimate Vacuum Max (In. Hg./Torr/mbar)	Noise Level (dB)		Weight (lb/kg)	Motor Output		Voltage 3 Phase (V)		Speed (rpm)	
	50 Hz	60 Hz		50 Hz	60 Hz		50 Hz	60 Hz	50 Hz	60 Hz	50 Hz	60 Hz
63	37/63	45/76	29.9/0.5/0.67	69	73	115/52	2.2 kw	3.0 hp	220/380	230/460	1500	1800
100	59/100	71/120	29.9/0.5/0.67	71	75	155/70	3.0 kw	5.0 hp	220/380	230/460	1500	1800
140	82/140	99/168	29.9/0.5/0.67	71	75	199/90	4.0 kw	5.0 hp	220/380	230/460	1500	1800



All measurements are ±10%

## APPROXIMATE DIMENSIONS



Model	Unit	a	b	c	d	e	f	Øg	Fill Oil	Inlet Port
63	in	26.1	16.6	11.7	7.7	11.0	5.5	1.2	2 QT	1 ¼" NPT
	mm	662	421	297	196	279	139	30	2 L	
100	in	28.3	16.5	11.6	8.7	10.9	6.5	1.2	2 QT	1 ¼" NPT
	mm	718	420	294	222	277	165	30	2 L	
140	in	30.7	17.1	13.2	14.4	10.5	8.7	1.2	2 QT	1 ¼" NPT
	mm	780	435	335	365	268	220	30	2 L	

### Optional Accessories

- Inlet filter
- Inlet check valve
- Vacuum gauge
- Motor starter
- Control panel
- PLC